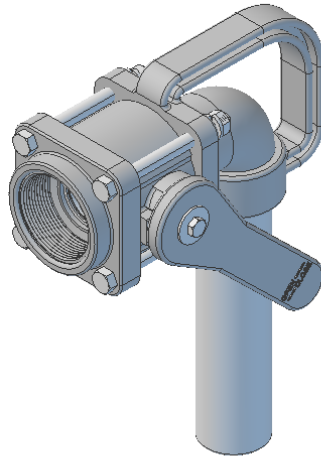




4011L-20 - 2 INCH NOZZLE VALVE



MATERIAL - POLYPRO
POLYTEF
VITON
CAD HARDWARE