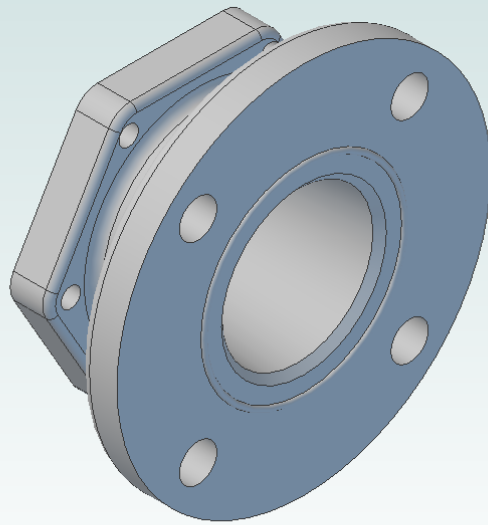


4E110-00 - 3" ANSI FLANGE END CAP



MATERIAL - POLYPRO