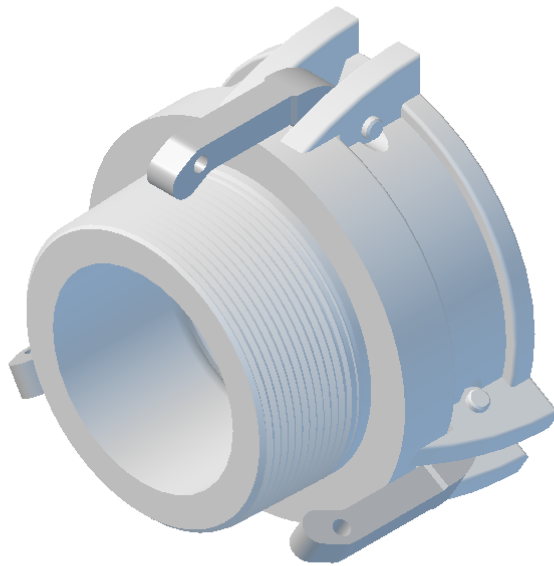


400-B FEMALE COUPLER / MALE THREAD



MATERIAL - POLYGLASS